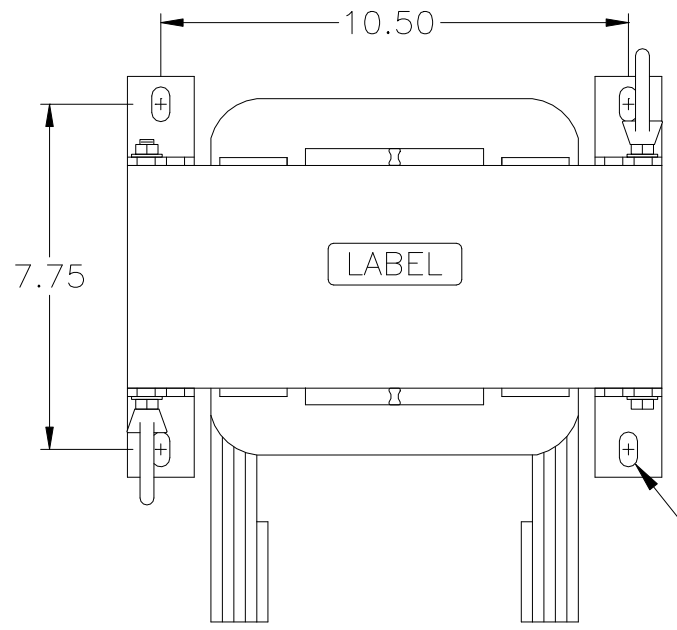


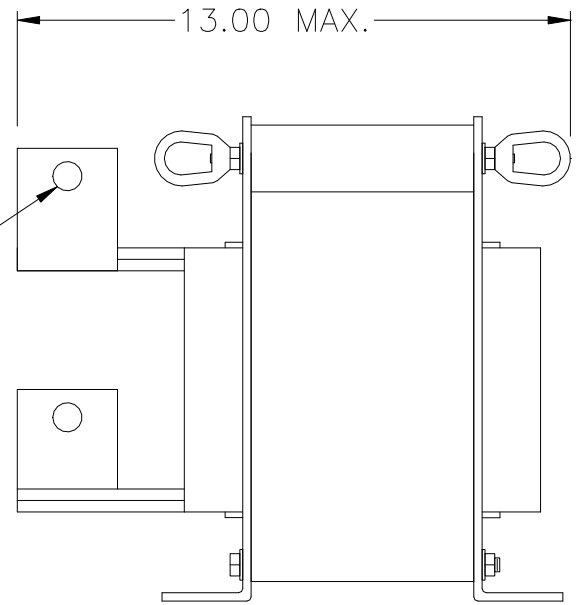
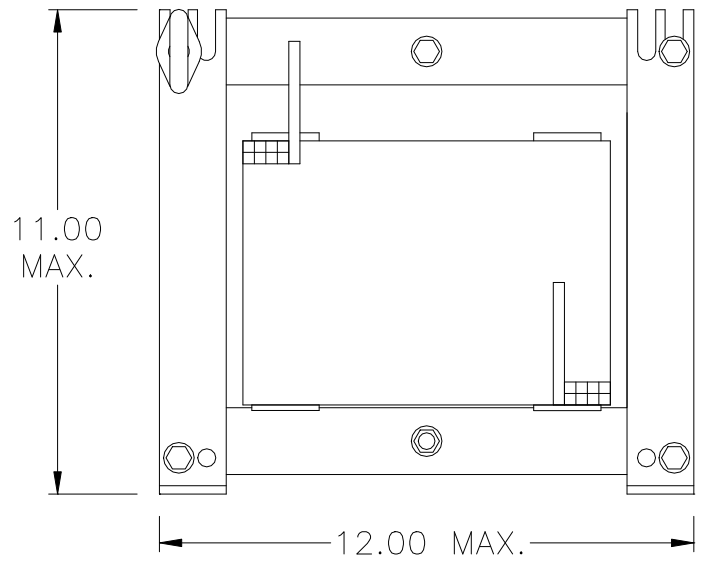
FILE: F:\ENG\PROD\RB\CD-600RB003

INDUCTANCE	LOSSES	WEIGHT
0.18 mH	181 Watts	160 Lbs

NO.	CHANGE DESCRIPTION	BY	DATE	C'K'D
-----	--------------------	----	------	-------



0.406 x 0.781
(4 SLOTS)



0.656 DIA.
(2 PLC)

UNLESS OTHERWISE SPECIFIED, DIMENSIONS ARE IN INCHES [mm] AND TOLERANCES ARE:

DECI.	FRAC.
ANGLES	DRILLED HOLES

PART NAME:	DC LINK CHOKE
DESCRIPTION:	OUTLINE DIMENSION
FINISH:	

MTE CORPORATION MENOMONEE FALLS, WISCONSIN			
600RB003			REV. 01
SCALE	NTS	DATE 12/12/03	C'K'D
REF.	DR. BY	KPH	APP'D